



# DISPENSING SOLUTIONS > PROGRESS 1500

## ✓ TECHNICAL SPECIFICATIONS

### MAIN FEATURES

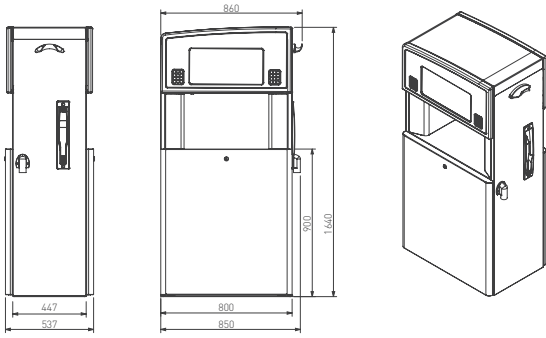
Construction	Frame: Galvanised Steel; Double Coated Painting
	Housing: Stainless Steel
	Panels: Aluminium; Double Coated Painting
Admission	Suction: High Performance Compact Gear Pump RTF Pressure: Submersible Pump
Meter	Positive Displacement Meter PTF, with Pulse Generator and Integrated Electronic Calibration
Filters	Reusable Stainless Steel, 100 µm mesh
Motor	Eexd, Single/ Three-Phase, 50/60 Hz w/ Internal Thermal Protection
Calculator	eMC Counter w/Pulse Interface
Hose	Ø16, 19, 21, 25 mm (EN1360/EN13483) (VR2 Approved)
Nozzle	Automatic ZVA2 or Others
Fuel Types	Petrol   Diesel   Biodiesel   Ethanol (E85) (1)   LPG (1)   AdBlue wo/heating (1)
Flow Rates	10, 40, 80, 130 L/min   Up to 2 Products/2 Hoses
Certificates	ATEX
Note: (1) Only available with pressure version.	

### OPTIONS

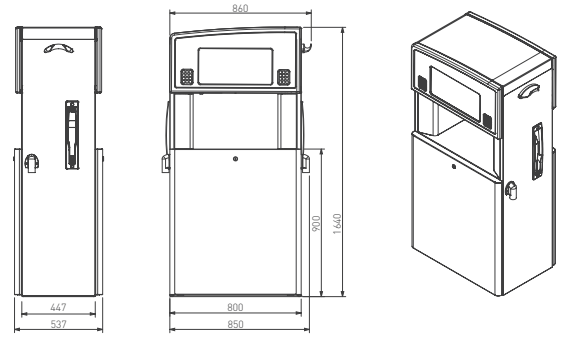
- Speed Selector (40/80 L/min)	- Single-Phase Motor	- Flexible Riser Connection
- Electro-mechanical Totalizers	- Three-Phase Motor	- Stainless Steel AISI304 Image Panel
- Volume Preset	- Fleet Management	- Stainless Steel AISI316 Housing
- Circuit Breaker	- Low Temperature Kit	- Foundation Frame
- Main Safety Switch (LPG)	- Satellite Ready (1 per side)	- Custom Corporate Image
- Electronics Head Heating	- Breakaway Couplings	- Hose Mast ( not available with LPG)
- Vapour Recovery Stage II	- Custom Nozzles and Sleeves	

# ✓ AVAILABLE CONFIGURATIONS

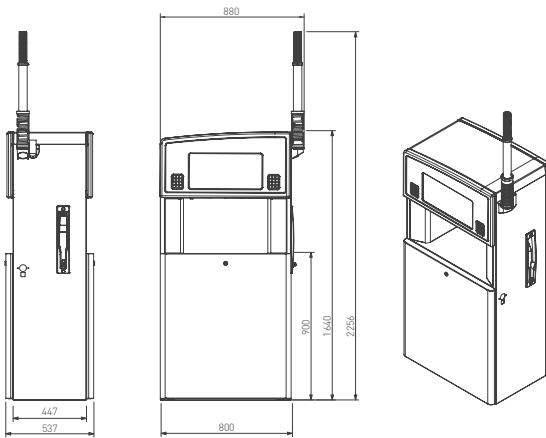
P1500 - 1P1H - STANDARD HOSE BRACKET



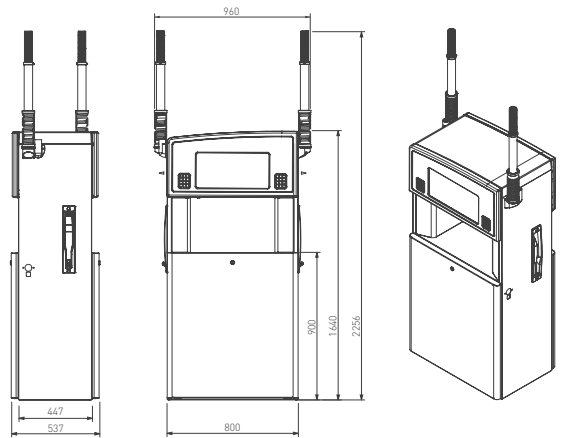
P1500 - 2P2H - STANDARD HOSE BRACKET



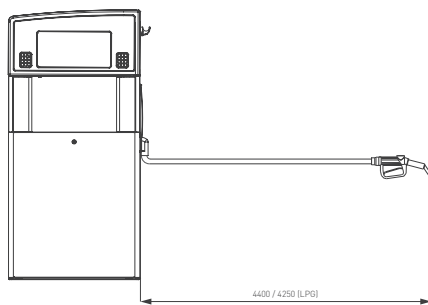
P1500 - 1P1H - HOSE MAST



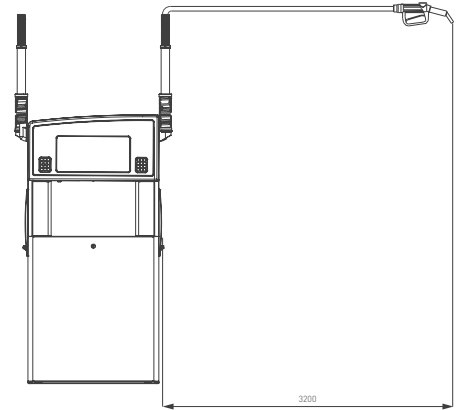
P1500 - 2P2H - HOSE MAST



P1500 - STANDARD HOSE LENGHT



P1500 - HOSE MAST LENGHT



Note: All dimensions are in mm.

MOD. IBPROGRESS1500 04.2018

© 2018 Petrotec Group | All rights reserved. Petrotec, the Petrotec logo, Progress and combinations thereof are registered trademarks of Petrotec Group. Other names are informational and may be trademarks of their respective owners. Petrotec is continuously improving its products. Changes on the specifications may occur without prior notice. The imagery used may be indicative of style only. The available brochures are a guide and do not constitute an offer or contract.

